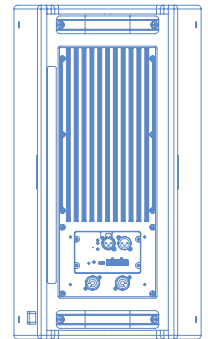
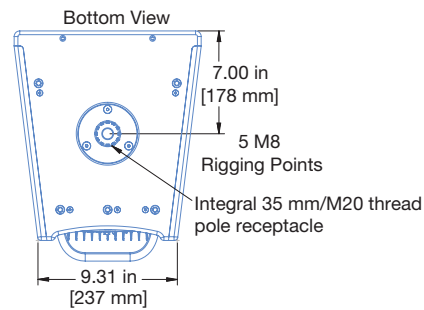
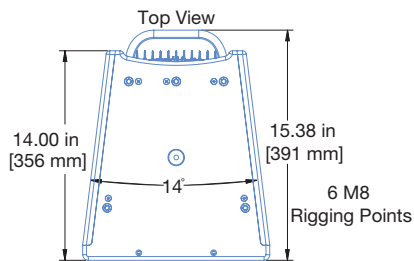
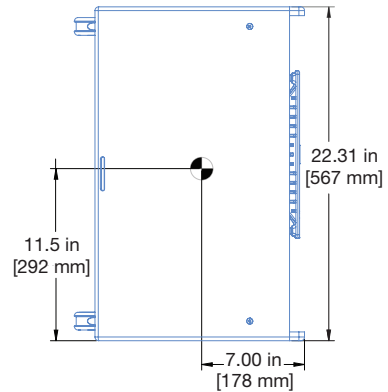


ULTRA-X40™



ULTRA-X40™, ULTRA-X42™



SPECIFICATIONS

ACOUSTICAL ¹	ULTRA-X40	ULTRA-X42
Operating Frequency Range ²	55 Hz – 19.5 kHz	55 Hz – 19.5 kHz
Frequency Response ³	56 Hz – 19 kHz ± 4 dB	58 Hz – 18 kHz ± 4 dB
Phase Response	90 Hz – 19.5 kHz ±45°	90 Hz – 19.5 kHz ±45°
Maximum SPL ⁴	138 dB	140 dB
Linear Peak SPL ⁵	132.5 dB with 18 dB crest factor (M-noise), 130 dB (Pink Noise), 131 dB (B-noise)	134 dB with 18.5 dB crest factor (M-noise), 132 dB (Pink Noise), 134 dB (B-noise)
COVERAGE		
	Rotatable horn: 110° x 50°	Rotatable horn: 70° x 50°
TRANSDUCERS		
Low Frequency	Two 8-inch cone drivers; 4 Ω nominal impedance	
High Frequency	One 3-inch diaphragm compression driver connected to a rotatable horn; 8 Ω nominal impedance	

SPECIFICATIONS, CONT'D.

AUDIO INPUT	
Type	Differential, electronically balanced
Maximum Common Mode Range	± 15 V DC, clamped to earth for voltage transient protection
Connectors	XLR 3-pin female input with male loop output
Input Impedance	10 k Ω differential between pins 2 and 3
Wiring	Pin 1: Chassis/earth through 1 k Ω , 1000 pF, 15 V clamp network to provide virtual ground lift at audio frequencies Pin 2: Signal + Pin 3: Signal – Case: Earth ground and chassis
Nominal Input Sensitivity	0 dBV (1.0 V rms) continuous is typically the onset of limiting for noise and music
Input Level	Audio source must be capable of producing of +20 dBV (10 V rms) into 600 Ω to produce the maximum peak SPL over the operating bandwidth of the loudspeaker.
AMPLIFIER	
Type	three-channel, Class-D
Total Output Power ⁶	1950 W peak
THD, IM, TIM	<0.02%
Cooling	Convection
AC POWER	
Connector	powerCON 20 input with loop output
Automatic Voltage Selection	90–265 V AC, 50–60 Hz
Safety Rated Voltage Range	100–240 V AC, 50–60 Hz
Turn-on and Turn-off Points	90 V AC turn-on, no turn-off; internal fuse protection above 265 V AC
CURRENT DRAW	
Idle Current	0.27 A rms (115 V AC); 0.25 A rms (230 V AC); 0.29 A rms (100 V AC)
Maximum Long-Term Continuous Current (>10 sec)	1.9 A rms (115 V AC); 1.0 A rms (230 V AC); 2.2 A rms (100 V AC)
Burst Current (<1 sec) ⁷	3.1 A rms (115 V AC); 1.5 A rms (230 V AC); 3.4 A rms (100 V AC)
Maximum Instantaneous Peak Current	6.9 A peak (115 V AC); 3.4 A peak (230 V AC); 7.9 A peak (100 V AC)
Inrush Current	<20 A peak
MONITORING	
Telemetry	Loudspeaker telemetry transmitted via the Ethernet port, displayed in software
PHYSICAL	
Dimensions	W: 12.51 in (318 mm) x H: 22.31 in (567 mm) x D: 14 in (356 mm); D with handles: 15.38 in (391 mm)
Weight	52 lb (23.6 kg)
Enclosure	Premium multi-ply birch with slightly textured black finish
Protective Grille	Powder-coated, round-perforated steel
Rigging	11 integrated M8 threaded points; 35 mm Pole Mount with M20 thread; optional accessories for various rigging options.

NOTES

1. Loudspeaker system predictions for coverage and SPL are available in Meyer Sound's MAPP System Design Tool.
2. Recommended maximum operating frequency range. Response depends on loading conditions and room acoustics.
3. Free-field, measured with 1/3 octave frequency resolution at 4 m.
4. **Maximum SPL** is the peak measured in free-field at 4 m referred to 1 m using noise.
5. **Linear Peak SPL** is measured in free-field at 4 m referred to 1 m. Loudspeaker SPL compression measured with M-noise at the onset of limiting, 2-hour duration, and 50-degree C ambient temperature is < 2 dB.
M-noise is a full bandwidth (10 Hz–22.5 kHz) test signal developed by Meyer Sound to better measure the loudspeaker's music performance. It has a constant instantaneous peak level in octave bands, a crest factor that increases with frequency, and a full bandwidth Peak to RMS ratio of 18 dB.
6. Peak power based on the maximum unclipped peak voltage the amplifier will produce into the nominal load impedance.
7. AC power cabling must be of sufficient gauge so that under burst current rms conditions, cable transmission losses do not cause the loudspeaker's voltage to drop below the specified operating range.



Digital Version

