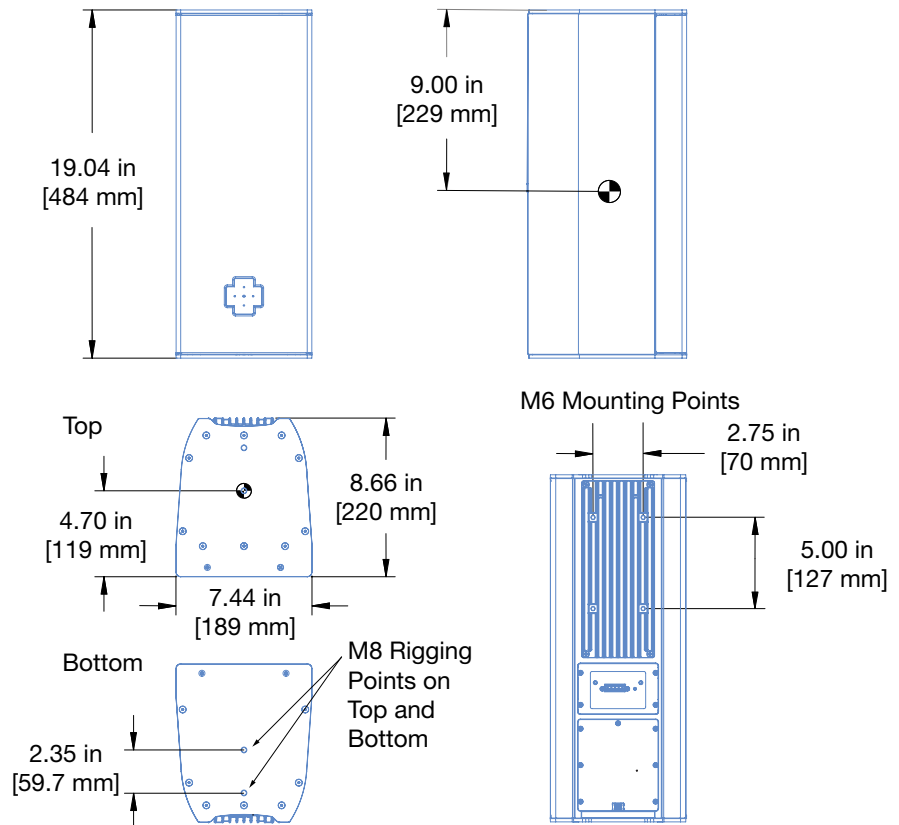


ULTRA-X20XP™



ULTRA-X20XP™, ULTRA-X22XP™, ULTRA-X23XP™



SPECIFICATIONS

ACOUSTICAL ¹	ULTRA-X20XP	ULTRA-X22XP	ULTRA-X23XP
Operating Frequency Range ²	60 Hz – 18 kHz	60 Hz – 18 kHz	60 Hz – 18 kHz
Frequency Response ³	65 Hz – 17.5 kHz ± 4 dB	65 Hz – 17.5 kHz ± 4 dB	65 Hz – 17.5 kHz ± 4 dB
Phase Response	95 Hz – 18 kHz ±45°	95 Hz – 18 kHz ±45°	95 Hz – 18 kHz ±45°
Linear Peak SPL ⁴	127 dB with 20 dB crest factor (M-noise)	128.5 dB with 20 dB crest factor (M-noise)	127.5 dB with 20 dB crest factor (M-noise)
COVERAGE			
	Rotatable horn: 110° x 50°	Rotatable horn: 80° x 50°	110° x 110°
TRANSDUCERS			
Low Frequency	Two 5-inch cone drivers; 6 Ω nominal impedance		
High Frequency	One 2-inch diaphragm compression driver connected to a rotatable horn; 8 Ω nominal impedance		

SPECIFICATIONS, CONT'D.

AUDIO INPUT	
Type	Differential, electronically balanced
Maximum Common Mode Range	±15 V DC, clamped to earth for voltage transient protection
Connector	Phoenix 5-pin male
Input Impedance	10 kΩ differential between Audio (+) and Audio (-)
Wiring	Pin 1: DC Power (-) Pin 2: DC Power (+) Pin 3: Audio Shield, Chassis/earth Pin 4: Audio (-) Pin 5: Audio (+)
Nominal Input Sensitivity	0 dBV (1.0 V rms) continuous is typically the onset of limiting for noise and music
Input Level	Audio source must be capable of producing of +20 dBV (10 V rms) into 600 Ω to produce the maximum peak SPL over the operating bandwidth of the loudspeaker.
AMPLIFIER	
Type	Three-channel, Class-D
Total Output Power ⁵	860 W peak
THD, IM, TIM	<0.02%
Cooling	Convection
DC POWER	
Connector	Phoenix 5-pin male provides power and audio connection (see Wiring above)
Safety Rated Voltage Range ^{6,7}	48 V DC—Meyer Sound MPS-482HP or MPS-488X Power Supply required (NEC ANSI/NFPA 70 Class 2 Wiring Approved)
PHYSICAL	
Dimensions	W: 7.44 in (189 mm) x H: 19.04 in (484 mm) x D: 8.66 in (220 mm)
Weight	27 lb (12.3 kg)
Enclosure	Aluminum with slightly textured black finish
IP Rating	Weather-protected version rated IP54 with properly installed rain hood. See the ULTRA-X20XP Operating Instructions available at meyersound.com/documents for details.
Protective Grille	Powder-coated, round-perforated steel
Rigging	Two integrated M8 threaded points on each end; optional accessories for various rigging options (see accessories section); four M6 threaded holes with 5-inch by 2.75-inch (127 mm by 70 mm) hole pattern on the rear for use with third-party wall mounts.

NOTES

- Loudspeaker system predictions for coverage and SPL are available in Meyer Sound's MAPP System Design Tool.
- Recommended maximum operating frequency range. Response depends on loading conditions and room acoustics.
- Free-field, measured with 1/3 octave frequency resolution at 4 m.
- Linear Peak SPL** is measured in free-field at 4 m referred to 1 m. Loudspeaker SPL compression measured with M-noise at the onset of limiting, 2-hour duration, and 50 °C ambient temperature is < 2 dB.
M-noise is a full bandwidth (10 Hz–22.5 kHz) test signal developed by Meyer Sound to better measure the loudspeaker's music performance. It has a constant instantaneous peak level in octave bands, a crest factor that increases with frequency, and a full bandwidth Peak to RMS ratio of 18 dB.
- Peak power based on the maximum unclipped peak voltage the amplifier will produce into the nominal load impedance.
- Tolerates voltage drops (due to long cable runs) up to 30%.
- For information about the MPS-482HP or the MPS-488X, refer to their datasheets or operating instructions, all available at meyersound.com/documents.