

Surround/Subwoofer Components and Optional Accessories



CONTENTS

HMS-5 Compact Cinema Surround Loudspeaker..... 2

HMS-10 Cinema Surround Loudspeaker 2

HMS-12 High-Power Cinema Surround Loudspeaker 3

HMS-15 High-Power Cinema Surround Loudspeaker 3

 FMB-HMS Fixed Bracket (PN 40.198.040.01) 4

 AMB-HMS Adjustable Bracket (PN 40.198.041.01)..... 4

 HY-HMS Half Yoke (PN 40.227.031.01) 4

 MYA-HMS15 Yoke (PN 40.242.035.01)..... 4

 MUB-HMS U Bracket (PN 40.242.025.01)..... 5

 MUB-HMS15 U Bracket (PN 40.242.025.01)..... 5

 WH-HMS Wall Hang Bracket (PN 40.227.030.01) 5

ULTRA-X20/X22/X23 Compact, Narrow and Broad Coverage Loudspeakers..... 6

 MUB-X20 U-Bracket (PN 40.297.454.01) 6

 MYA-X20 Yoke (PN 40.297.450.01)..... 6

 MTC-X20 Top Channel (PN 40.297.430.01) 7

 MRK-POLE Adjustable Pole Mount (PN 40.010.973.01)..... 7

UP-4slim Compact Installation Loudspeaker 8

 MUB-UP-4slim U-Bracket (PN 40.274.969.01)..... 8

 MYA-UP-4slim Yoke (PN 40.274.039.01) 8

 MRK-POLE Adjustable Pole Mount (PN 40.010.973.01)..... 9

USW-112P Compact Subwoofer 10

 MUB-USW-112P U-Bracket (PN 40.298.050.01)..... 10

 MRK-POLE Adjustable Pole Mount (PN 40.010.973.01)..... 10

USW-210P Compact Narrow Subwoofer 11

 MUB-USW-210P U-Bracket (PN 40.277.969.01)..... 11

 MBP-USW-210P Base Plate (PN 40.010.970.01) 11

750-LFC Very Compact Low-Frequency Control Element..... 12

 MRK-750 Rigging Kit (PN 40.271.009.01)..... 12

 MG-MINA/LINA/750-LFC Multipurpose Grid (PN 40.207.101.02) 12

 MCF-750 Caster Frame-Rigging (PN 40.271.070.02) 13

 MCF-750 Caster Frame-No Rigging (PN 40.271.070.03) 13

900-LFC Compact Low-Frequency Control Element..... 14

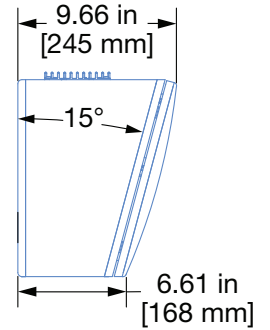
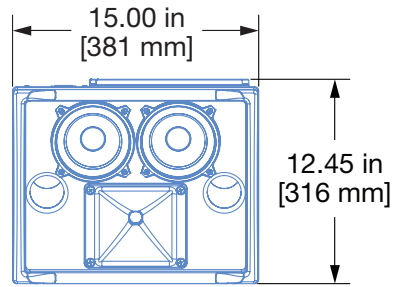
 MCF-900-LFC Caster (PN 40.246.130.01)..... 14

 MRK-900-LFC Rigging (PN 40.246.168.01) 14

 MG-LEOPARD/900-LFC Grid (PN 40.243.080.01)..... 15

 MG-900-LFC Tilt Feet (PN 40.243.163.01) 15

HMS-5 COMPACT CINEMA SURROUND LOUDSPEAKER

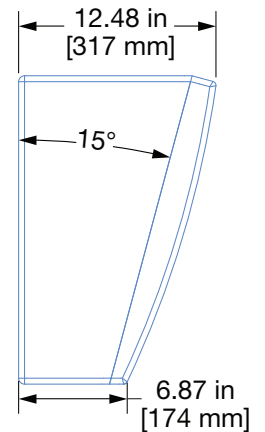
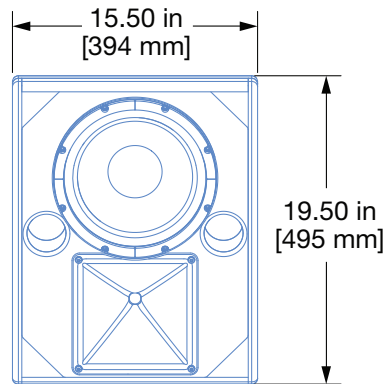


Weight 18.4 lb [8.3 kg]

Total Output Power 600 W peak

DC Power 48 V Meyer Sound IntelligentDC External Power Supply Required

HMS-10 CINEMA SURROUND LOUDSPEAKER

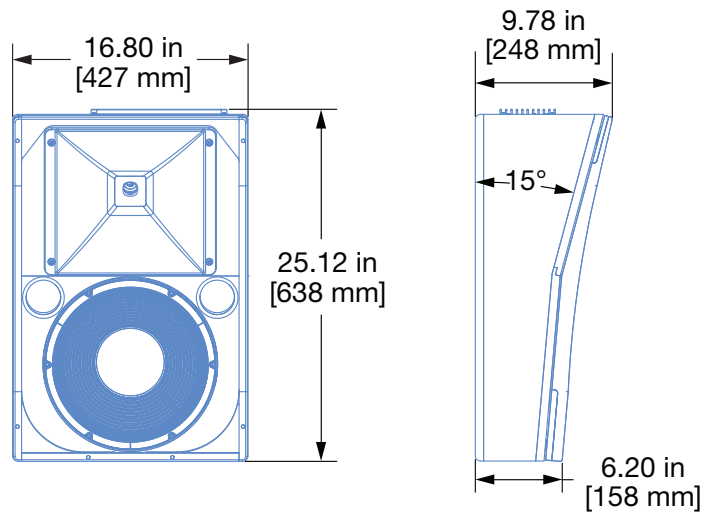


Weight 26.2 lb [11.9 kg] (without grille frame)

Total Output Power 600 W peak

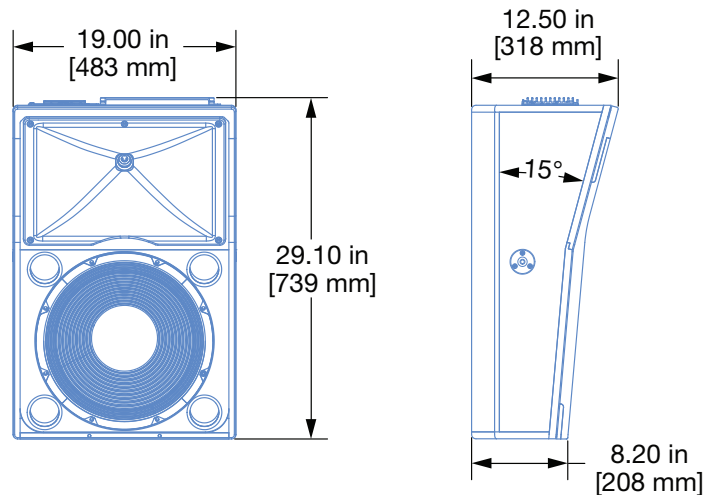
DC Power 48 V Meyer Sound IntelligentDC External Power Supply Required

HMS-12 HIGH-POWER CINEMA SURROUND LOUDSPEAKER



Weight 43 lb [19.5 kg]
Total Output Power 550 W peak
DC Power 48 V Meyer Sound IntelligentDC External Power Supply Required

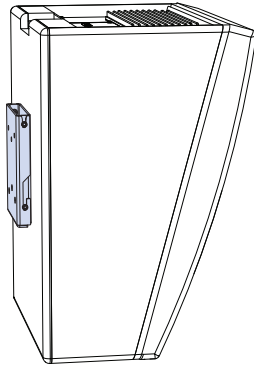
HMS-15 HIGH-POWER CINEMA SURROUND LOUDSPEAKER



Weight 60 lb [27.2 kg] (DC version); 64 lb [29 kg] (AC version)
Total Output Power 1000 W peak
DC Version Power 48 V Meyer Sound IntelligentDC External Power Supply Required
Maximum Long Term Continuous Current Draw (> 10 sec) (AC Version) 7.0 A rms (115 V AC); 3.8 A rms (230 V AC); 7.7 A rms (100 V AC)

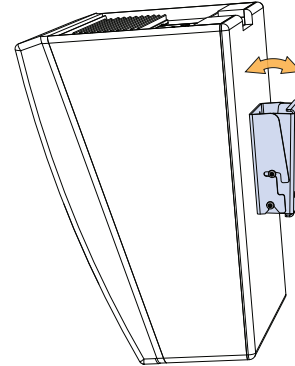
ACCESSORY APPLICABILITY	HMS-5	HMS-10	HMS-12	HMS-15
FMB-HMS Fixed Bracket	✓	✓	✓	✓
AMB-HMS Adjustable Bracket	✓	✓	✓	✓
HY-HMS Half Yoke	✓	✓	✓	
MYA-HMS15 Yoke				✓
MUB-HMS U-Bracket	✓	✓	✓	
MUB-HMS15 U-Bracket				✓
WH-HMS Wall Hinge Bracket	✓	✓	✓	

FMB-HMS FIXED BRACKET (PN 40.198.040.01)



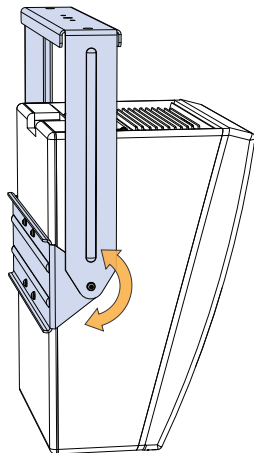
Width 5.67 in [144 mm]
 Height 6.77 in [172 mm]
 Depth 0.87 in [22 mm]
 Self-weight 3.1 lb [1.4 kg]
 Load rating 7:1 65 lb [29 kg]

AMB-HMS ADJUSTABLE BRACKET (PN 40.198.041.01)



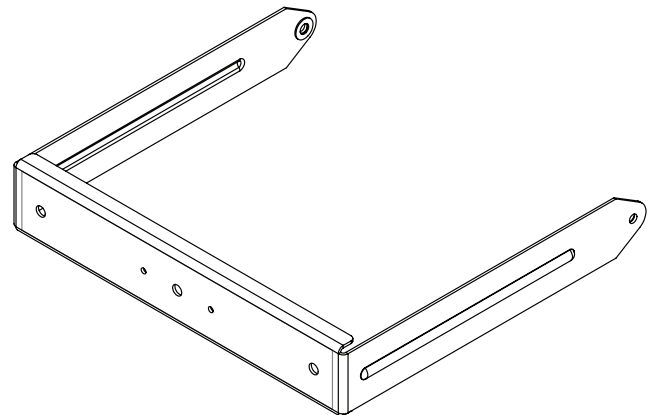
Width 5.26 in [134 mm]
 Height 6.46 in [164 mm]
 Depth 2.24 in [54 mm] (closed)
 Self-weight 4.2 lb [1.9 kg]
 Load rating 7:1 65 lb [29 kg]

HY-HMS HALF YOKE (PN 40.227.031.01)



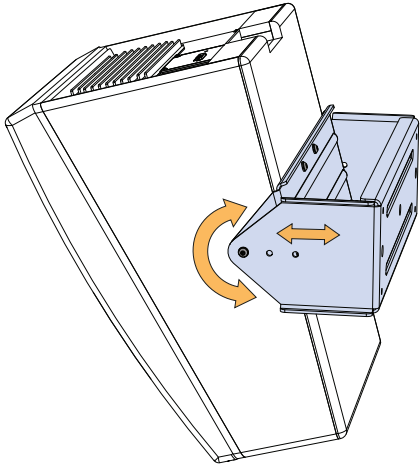
Width 18.91 in [480 mm]
 Height 17.78 in [452 mm]
 Depth 3.00 in [76 mm]
 Self-weight 12.4 lb [5.6 kg]
 Load rating 7:1 45 lb [20.4 kg]

MYA-HMS15 YOKE (PN 40.242.035.01)



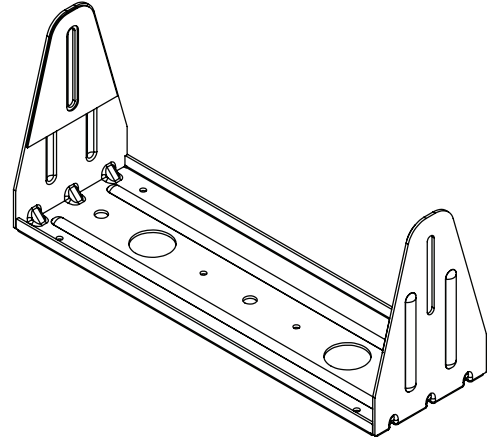
Width 19.78 in [502 mm]
 Height 17.75 in [451 mm]
 Depth 3.57 in [91 mm]
 Self-weight 7.6 lb [3.4 kg]
 Load rating 7:1 70 lb [32 kg]

MUB-HMS U BRACKET
(PN 40.242.025.01)



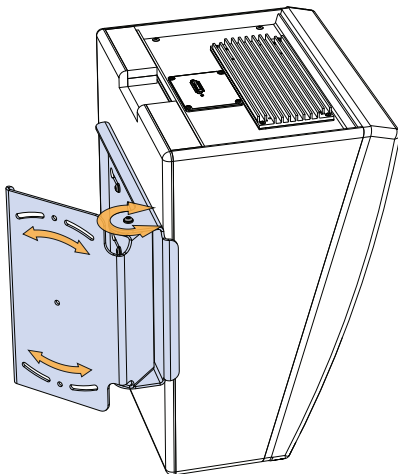
Width 19.35 in [491 mm]
Height 5.57 in [141 mm]
Depth 7.25 in [184 mm] (horizontal)
Self-weight 13.5 lb [6.1 kg]
Load rating 45 lb [20.4 kg]

MUB-HMS15 U BRACKET
(PN 40.242.025.01)



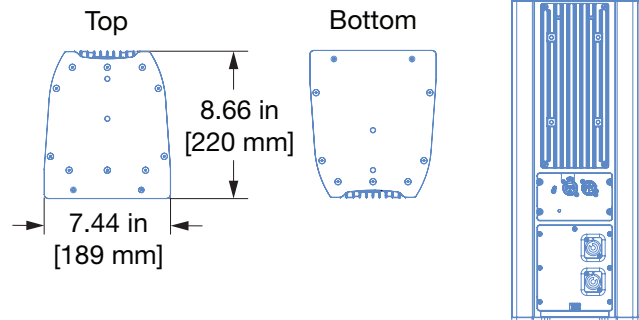
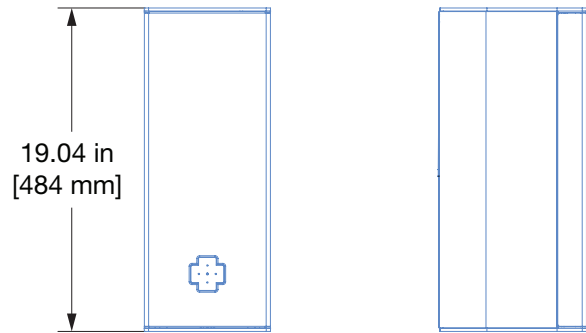
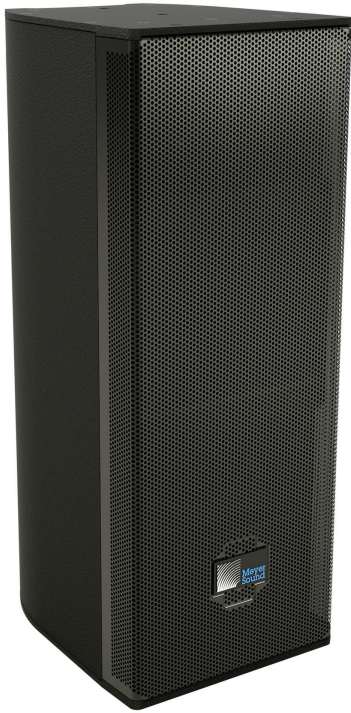
Width 19.77 in [502 mm]
Height 8.9 in [226 mm]
Depth 6.00 in [152 mm]
Self-weight 7.05 lb [3.2 kg]
Load rating 7:1 65 lb [29.5 kg]

WH-HMS WALL HANG BRACKET
(PN 40.227.030.01)



Width 13.00 in [330 mm]
Height 11.70 in [297 mm]
Depth 8.42 in [214 mm] (open 90°)
Self-weight 10.4 lb [4.7 kg]
Load rating 45 lb [20.4 kg]

ULTRA-X20/X22/X23 COMPACT, NARROW AND BROAD COVERAGE LOUDSPEAKERS

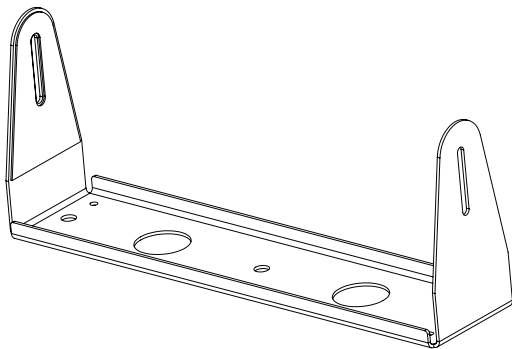


Weight 25 lb [11.3 kg]

Total Output Power 900 W peak

Maximum Long Term Continuous Current Draw (> 10 sec) 0.68 A rms (115 V AC); 0.36 A rms (230 V AC); 0.79 A rms (100 V AC)

MUB-X20 U-BRACKET (PN 40.297.454.01)



Width 19.45 in [494 mm]

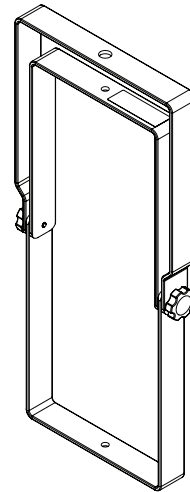
Height 7.87 in [200 mm]

Depth 4.55 in [116 mm]

Self-weight 5 lb [2.3 kg]

Load rating 5:1 25 lb [11.4 kg]

MYA-X20 YOKE (PN 40.297.450.01)



Width 9.82 in [249 mm]

Height 21.26 in [540 mm]

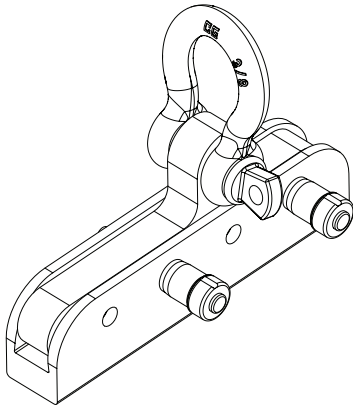
Depth 1.50 in [38 mm]

Self-weight 8 lb [3.6 kg]

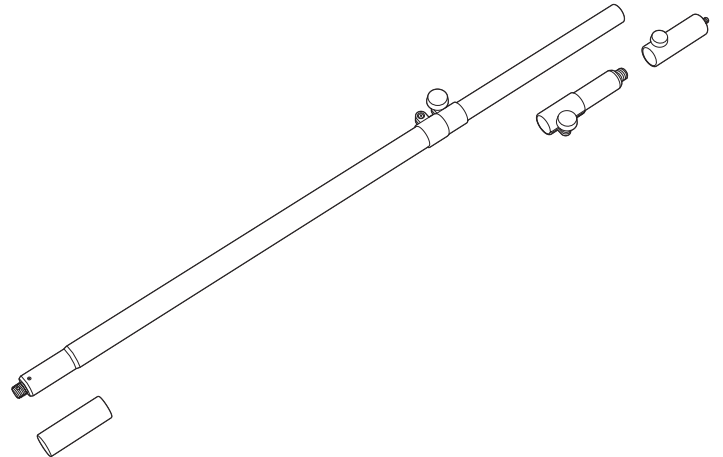
Load rating 5:1 25 lb [11.4 kg]

MTC-X20 TOP CHANNEL (PN 40.297.430.01)

MRK-POLE ADJUSTABLE POLE MOUNT (PN 40.010.973.01)

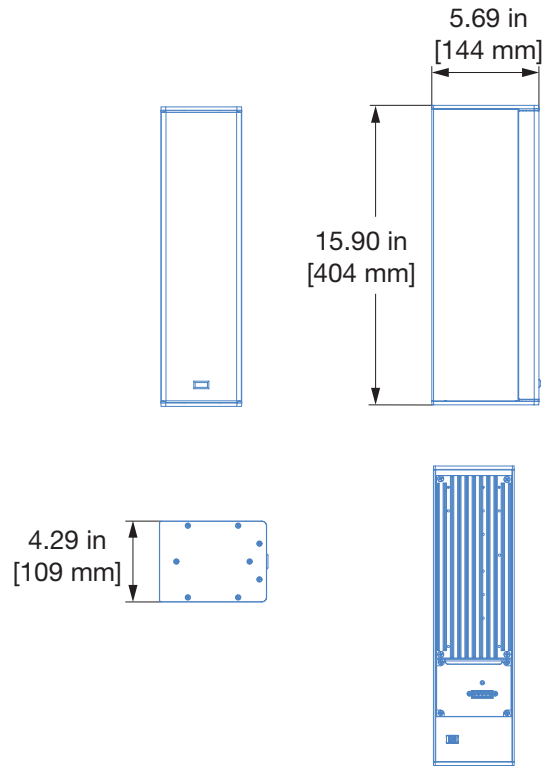


Width	0.87 in [22 mm]
Height	2.37 in [60 mm]
Depth	5.2 in [132 mm]
Self-weight	0.3 lb [0.1 kg]
Load rating 5:1	50 lb [22.7 kg]



Adjustable Length	36.5–60 in [927–1524 mm]
Lower Shaft	Fits 1 3/8 in [35 mm] cups; removable M20 threaded lug; 35 mm to 1.5 in [38 mm] adapter
Upper Shaft	1 3/8 in [35 mm] ; PAS-M20 Adapter (fits 35 mm/M20 internal pole mounts); PAS-M8 adapter (fits M8 rigging points)
Pneumatic Lift Assist	45 lb [20.4 kg]
Weight Capacity	100 lb [45.4 kg]

UP-4slim COMPACT INSTALLATION LOUDSPEAKER

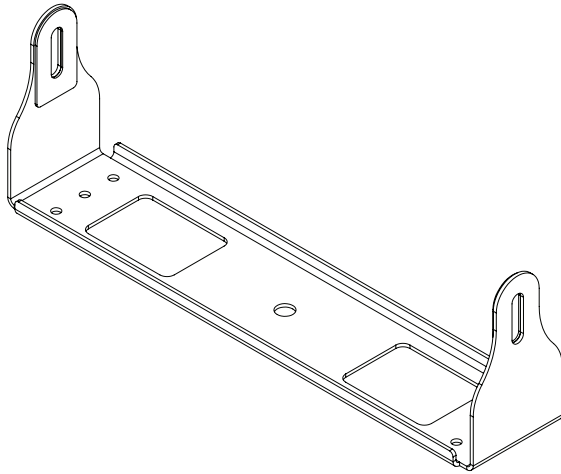


Weight 74 lb [33.5 kg]

Total Output Power 1100 W peak

Maximum Long Term Continuous Current Draw (> 10 sec) 1.4 A rms (115 V AC); 0.7 A rms (230 V AC); 1.5 A rms (100 V AC)

MUB-UP-4slim U-BRACKET (PN 40.274.969.01)



Width 16.28 in [414 mm]

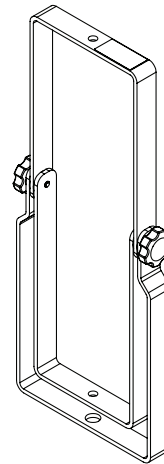
Height 5.21 in [132 mm]

Depth 3.57 in [91 mm]

Self-weight 2 lb [0.9 kg]

Load rating 5:1 14 lb [6.4 kg]

MYA-UP-4slim YOKE (PN 40.274.039.01)



Width 7.02 in [178 mm]

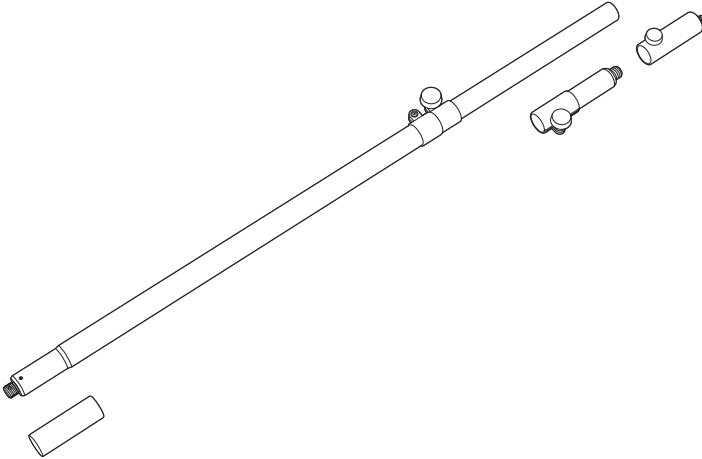
Height 17.39 in [442 mm]

Depth 1.00 in [25 mm]

Self-weight 3 lb [1.4 kg]

Load rating 5:1 14 lb [6.4 kg]

MRK-POLE ADJUSTABLE POLE MOUNT (PN 40.010.973.01)



Adjustable Length 36.5–60 in [927–1524 mm]

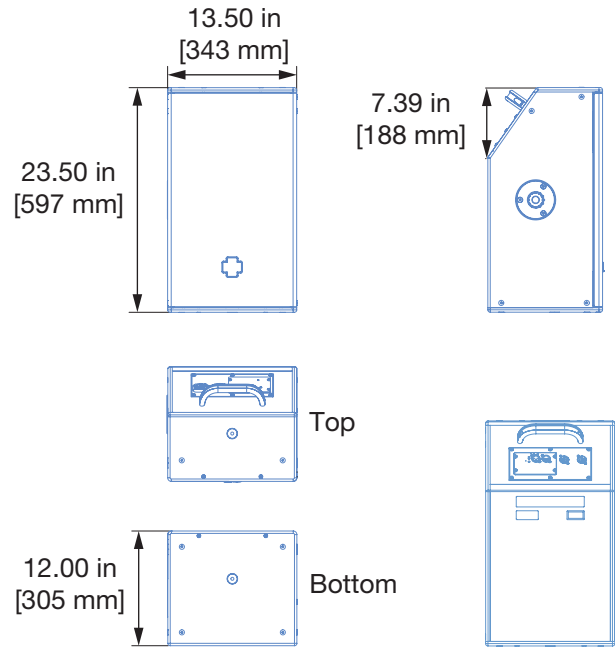
Lower Shaft Fits 1 3/8 in [35 mm] cups;
removable M20 threaded lug;
35 mm to 1.5 in [38 mm] adapter

Upper Shaft 1 3/8 in [35 mm];
PAS-M20 Adapter (fits 35 mm/M20
internal pole mounts);
PAS-M8 adapter (fits M8 rigging
points)

Pneumatic Lift Assist 45 lb [20.4 kg]

Weight Capacity 100 lb [45.4 kg]

USW-112P COMPACT SUBWOOFER

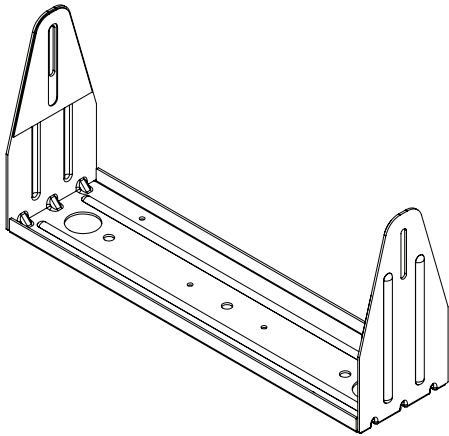


Weight 45 lb [20 kg]

Total Output Power 1200 W peak

Maximum Long Term Continuous Current Draw (> 10 sec) 1.2 A rms (115 V AC); 0.7 A rms (230 V AC); 1.4 A rms (100 V AC)

MUB-USW-112P U-BRACKET (PN 40.298.050.01)



Width 23.94 in [608 mm]

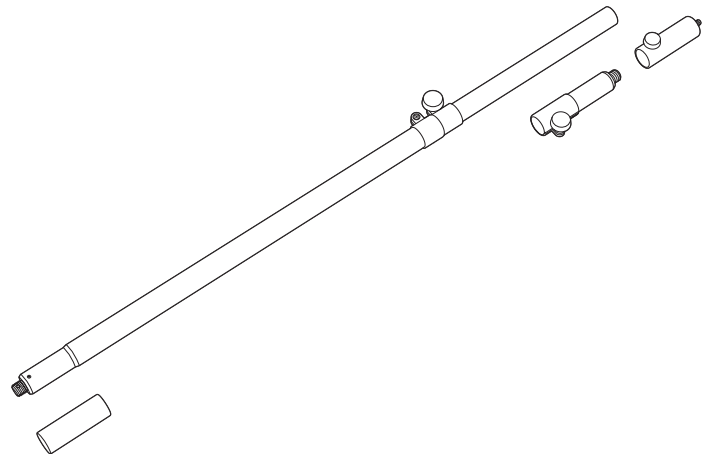
Height 11.55 in [293 mm]

Depth 4.50 in [114 mm]

Self-weight 10 lb [4.5 kg]

Load rating 5:1 45 lb [20.4 kg]

MRK-POLE ADJUSTABLE POLE MOUNT (PN 40.010.973.01)



Adjustable Length 36.5–60 in [927–1524 mm]

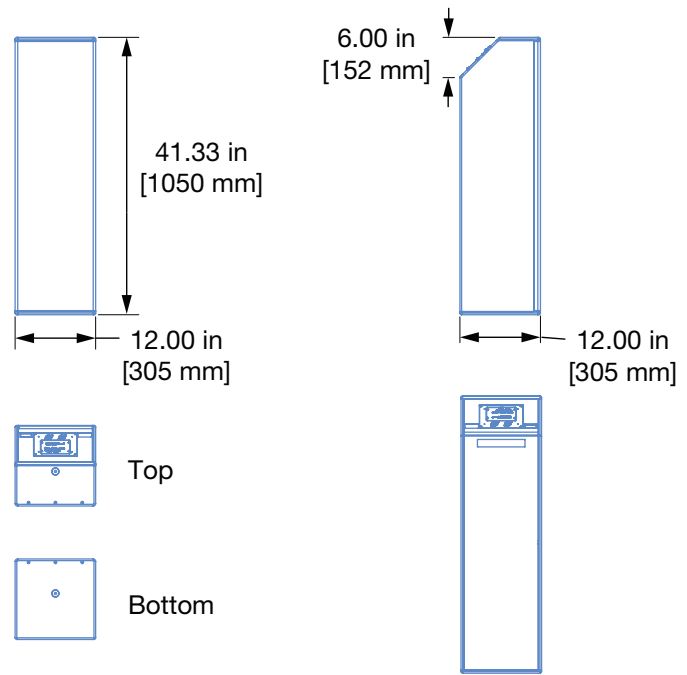
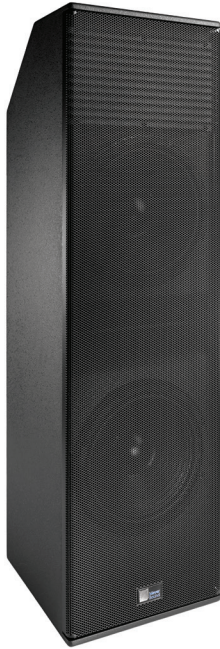
Lower Shaft Fits 1 3/8 in [35 mm] cups; removable M20 threaded lug; 35 mm to 1.5 in [38 mm] adapter

Upper Shaft 35 mm; PAS-M20 Adapter (fits 35 mm/M20 internal pole mounts); PAS-M8 adapter (fits M8 rigging points)

Pneumatic Lift Assist 45 lb [20.4 kg]

Weight Capacity 100 lb [45.4 kg]

USW-210P COMPACT NARROW SUBWOOFER

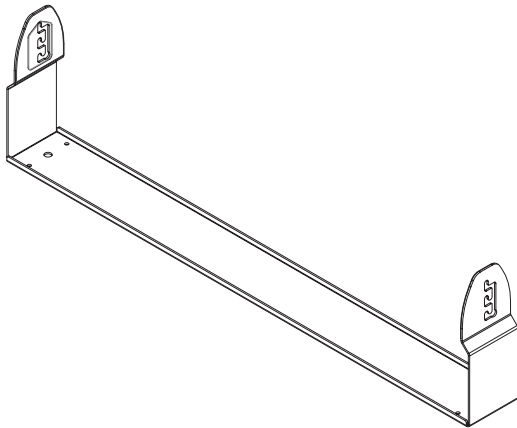


Weight 56 lb [25.4 kg]

Total Output Power 1800 W peak

Maximum Long Term Continuous Current Draw (> 10 sec) 1.4 A rms (115 V AC); 0.7 A rms (230 V AC); 1.6 A rms (100 V AC)

MUB-USW-210P U-BRACKET (PN 40.277.969.01)



Width 43.19 in [1097 mm]

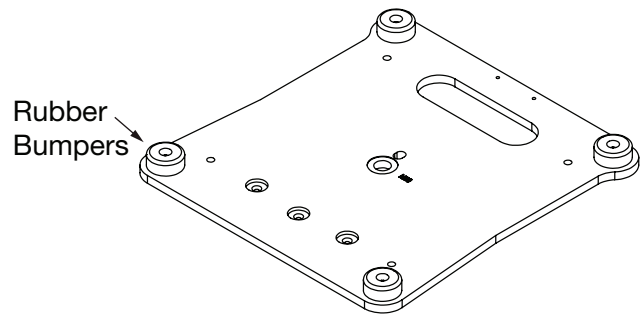
Height 11.38 in [289 mm]

Depth 4.81 in [122 mm]

Self-weight 12 lb [5.4 kg]

Load rating 5:1 56 lb [25.4 kg]

MBP-USW-210P BASE PLATE (PN 40.010.970.01)



Bottom View

Width 14.00 in [356 mm]

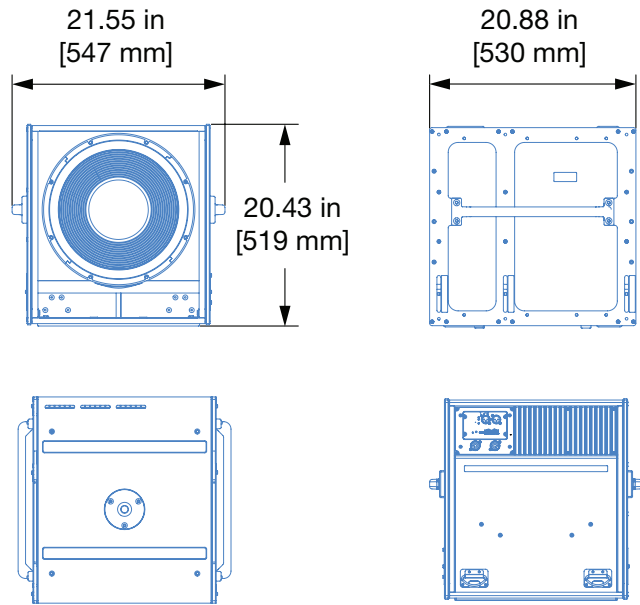
Height 1.00 in [25 mm]

Depth 14.75 in [375 mm]

750-LFC VERY COMPACT LOW-FREQUENCY CONTROL ELEMENT



Shown with Rigging



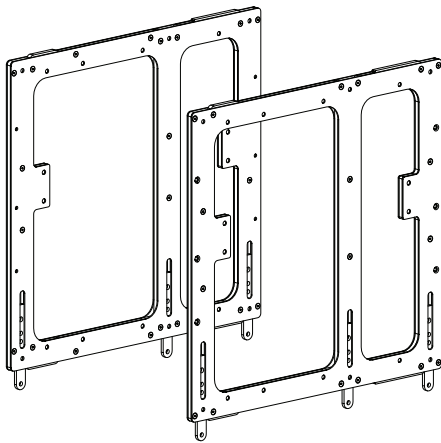
Dimensions with Rigging

Weight 89 lb [40.3 kg] without rigging; 105 lb [47.6 kg] with rigging

Total Output Power 3100 W peak

Maximum Long Term Continuous Current Draw (> 10 sec) 5.3 A rms (115 V AC); 2.7 A rms (230 V AC); 6.2 A rms (100 V AC)

MRK-750 RIGGING KIT (PN 40.271.009.01)



Width 0.46 in [12 mm] (each)

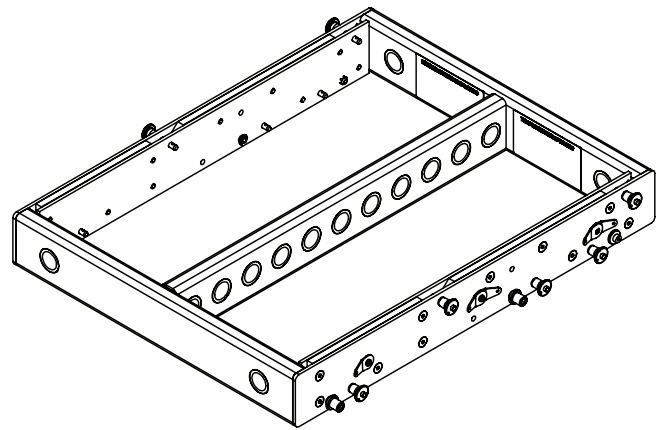
Height 20.05 in [509 mm]

Depth 20.88 in [530 mm]

Self-weight 16 lb [5.4 kg] (pair)

Load rating 5:1 N/A

MG-MINA/LINA/750-LFC MULTIPURPOSE GRID (PN 40.207.101.02)



Width 20.62 in [524 mm] with pins

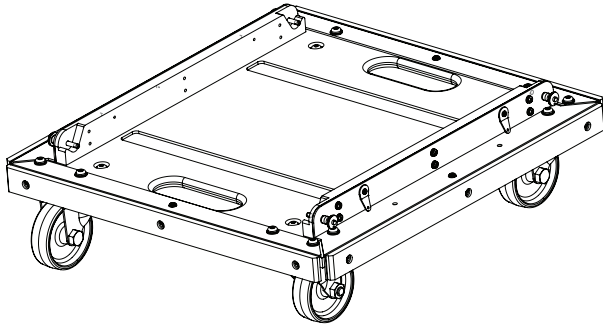
Height 3.00 in [76 mm]

Depth 24.03 in [610 mm]

Self-weight 39 lb [17.7 kg]

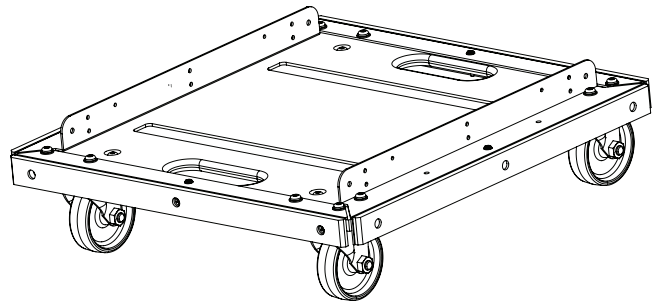
Load rating 5:1 696 lb [318 kg]

**MCF-750 CASTER FRAME-RIGGING
(PN 40.271.070.02)**



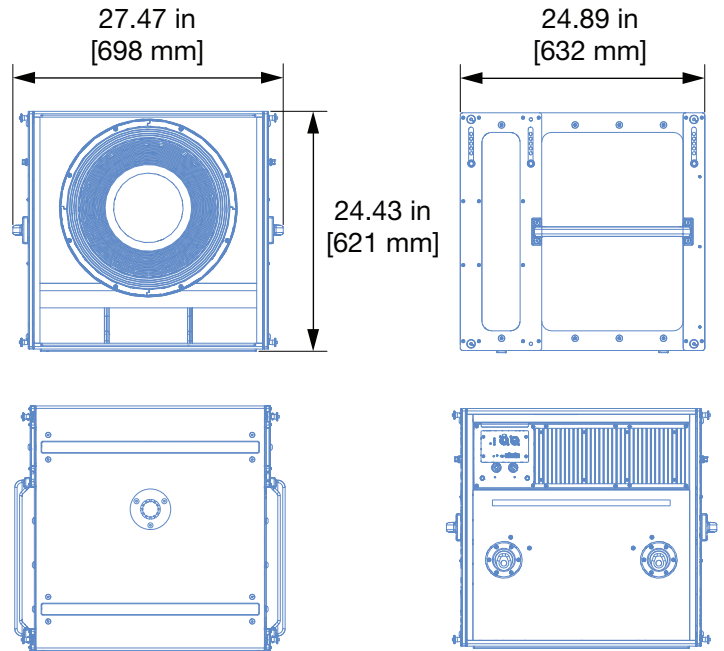
Width 24.16 in [614 mm]
Height 7.5 in [190.5 mm]
Depth 24.91 in [633 mm]
Self-weight 34 lb [15.4 kg]
Load rating Up to three 750-LFC

**MCF-750 CASTER FRAME-NO RIGGING
(PN 40.271.070.03)**



Width 24.16 in [614 mm]
Height 7.5 in [190.5 mm]
Depth 24.91 in [633 mm]
Self-weight 28.7 lb [13.0 kg]
Load rating Up to three 750-LFC

900-LFC COMPACT LOW-FREQUENCY CONTROL ELEMENT



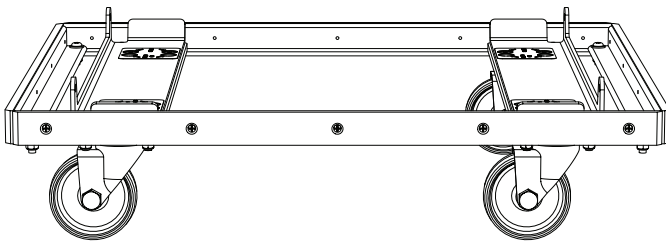
Shown with Rigging

Dimensions with Rigging

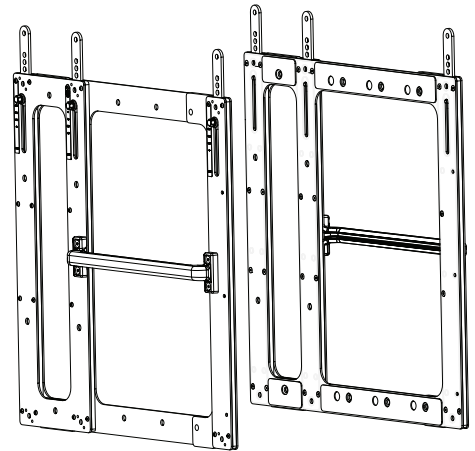
Weight	136 lb [61.7 kg] (without rigging)
Total Output Power	3100 W peak
Maximum Long Term Continuous Current Draw (> 10 sec)	4.9 A rms (115 V AC); 2.5 A rms (230 V AC); 5.2 A rms (100 V AC)

MCF-900-LFC CASTER (PN 40.246.130.01)

MRK-900-LFC RIGGING (PN 40.246.168.01)



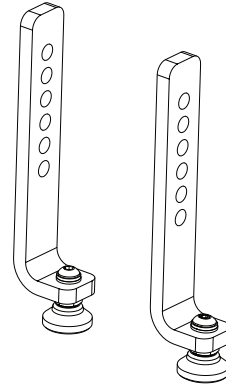
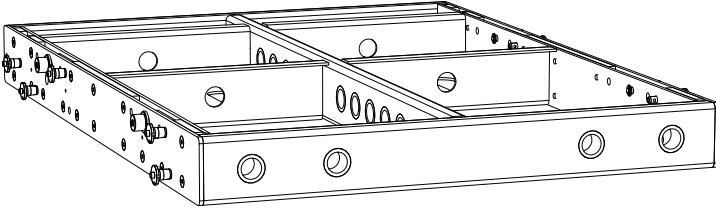
Width	29.75 in [756 mm]
Height	6.44 in [164 mm] (including casters)
Depth	27.84 in [707 mm]
Self-weight	46 lb [20.9 kg]
Load rating	Up to 2 900-LFC



Width	24.89 in [632 mm]
Height	24.33 in [618 mm] (retracted)
Depth	2.12 in [54 mm] (with handle)
Self-weight	23 lb [10.43 kg] (both sides)
Load rating	N/A

MG-LEOPARD/900-LFC GRID
(PN 40.243.080.01)

MG-900-LFC TILT FEET
(PN 40.243.163.01)



Width 26.49 in [673 mm]
Height 3.00 in [76 mm]
Depth 33.5 in [851 mm]
Self-weight 60.5 lb [27.5 kg]
Load rating 5:1 2067 lb [940 kg] (hanging only)
Groundstack up to three 900-LFC

Width 1.00 in [25 mm]
Height 6.69 in [170 mm]
Depth 1.53 in [39 mm]
Self-weight 2 lb [0.9 kg]
Load rating Not rated for hanging
Use only in groundstack applications (up to three 900-LFC)

Note: Information on Load Ratings provided for feasibility purposes only. In some cases, restrictions apply. See the appropriate loudspeaker Operating Instructions or Rigging Assembly documents for more details. Meyer Sound documentation available at meyersound.com/documents.

Meyer Sound Laboratories, Incorporated.
2832 San Pablo Avenue
Berkeley, CA 94702

+1 510 486.1166
meyersound.com/contact
meyersound.com

Surround/Subwoofers Product Information
04.990.103.01 A2
Copyright © 2021. All Rights Reserved.

