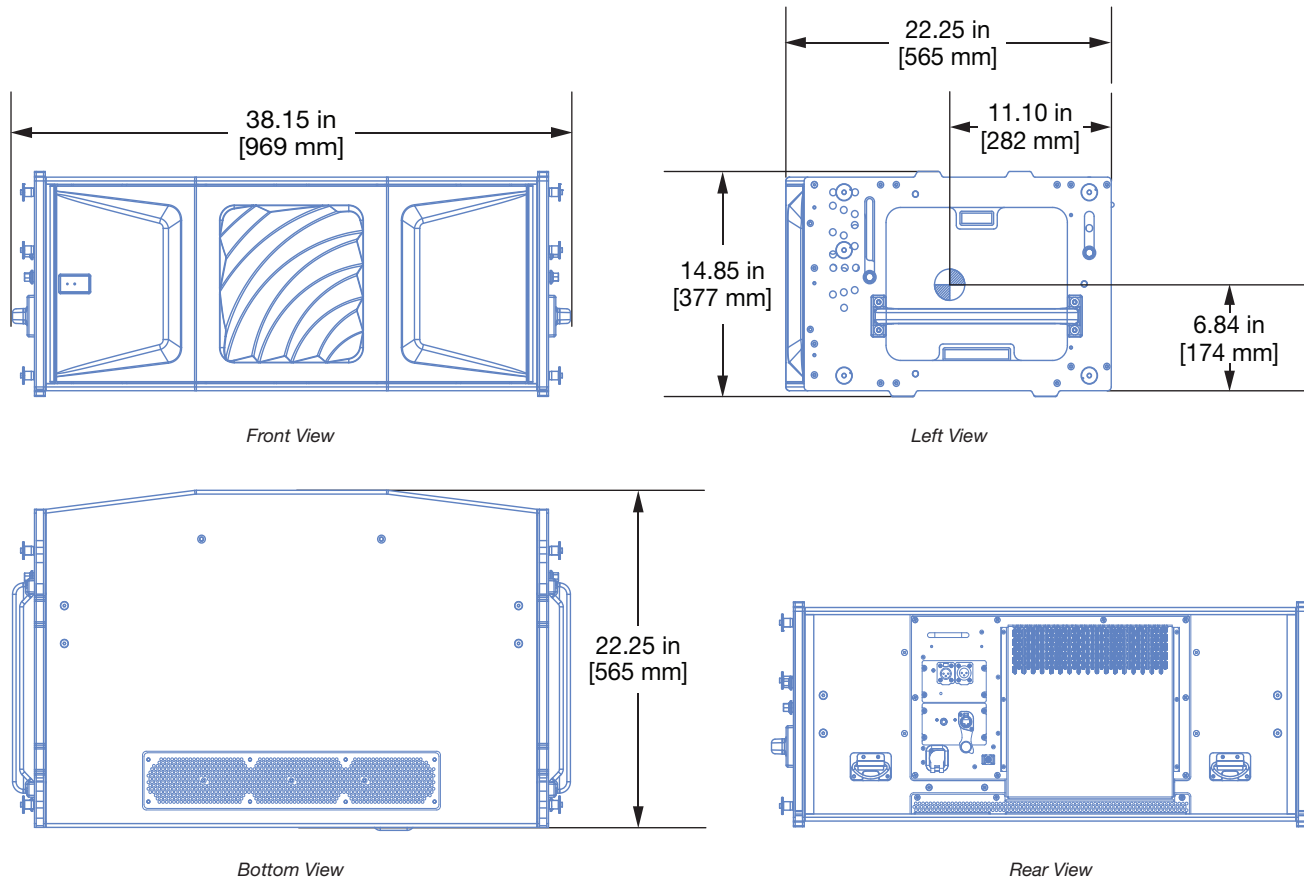


PANTHER Linear Line Array Loudspeaker



ACOUSTICAL ¹	PANTHER-L	PANTHER-M	PANTHER-W
Operating Frequency Range	55 Hz – 16 kHz		
Maximum Sound Level ²	150.5 dB	150.5 dB	149.5 dB
AES75 Maximum Linear Sound Levels ³	127.5 dBZ, 144.5 dBZpk, 125.5 dBA, with an RMS input level of +8.3 dBV	126.5 dBZ, 144 dBZpk, 125 dBA, with an RMS input level of +6.8 dBV	126.5 dBZ, 142.5 dBZpk, 123 dBA, with an RMS input level of +6.4 dBV
COVERAGE			
Horizontal Coverage	80°	95°	110°
PHYSICAL			
Weight	150 lbs. (68 kg)		
Enclosure	Premium multi-ply birch, slightly textured black finish		
Protective Grille	Powder-coated, stamped steel		
Rigging	End frames with captive GuideALinks secured with 0.4375 in x 0.090 in quick-release pins that allow 0.5°– 9° splay angles; detachable side handles		
IEC Ingress Protection Rating (IP Rating)	IP55, when connected to cables terminated with Neutrik TOP connectors		
AC POWER			
Connector	Neutrik powerCON TRUE1 TOP (True Outdoor Protection)		
Operating Voltage Range	200 – 250 V AC, 50 or 60 Hz		
POWER CONSUMPTION			
Max Long-Term Continuous Power (>10 sec)	1100 W		
Burst Power (<1 sec)	2200 W		

ANALOG AUDIO INPUT ⁴	
Connector	Neutrik XLR 3-pin TOP (True Outdoor Protection) female input with male loop output.
Input Level	Source must be capable of producing +24 dBu into 50 Ω to produce the maximum peak SPL over the operating bandwidth of the loudspeaker.
DIGITAL AUDIO INPUT ⁴	
Connector	Neutrik etherCON TOP (True Outdoor Protection)
Digital Format	AVB, Milan Certified
MONITORING	
Telemetry	Loudspeaker telemetry transmitted via the Ethernet port, displayed in software
TRANSDUCERS	
Low Frequency	Two 12-inch long-excursion cone drivers; 4 Ω nominal impedance
High Frequency	Two 3-inch diaphragm compression drivers coupled to a horn; 8 Ω nominal impedance

NOTES

1. Loudspeaker system predictions for coverage and SPL are available in Meyer Sound's MAPP System Design Tool.
2. Maximum Sound Level is the L_{peak} measured using burst noise.
3. Linear Sound Levels are measured in free-field at 4 m with a Class 1 sound level meter in accordance with IEC 61672 and ANSI S1.4. Values are scaled to 1 m distance from the loudspeaker while the loudspeaker is reproducing the AES75 test signal for at least one hour when the ambient temperature is 45 C° (113 F°).
4. Both analog and digital audio inputs are provided as standard.