

## LEOPARD/900-LFC UW Rain Hood Attachment



### PARTS LIST

The Ultra Weather Protection LEOPARD/900-LFC Rain Hood Kit includes the following parts:

- LEOPARD/900-LFC Quick Clip Rain Hood with Splash Shield Assembly (PN 45.243.241.01)
- LEOPARD/900-LFC Rain Hood Baffle (PN 64.243.104.01)
- 2 pan head Phillips 6-32 x 0.25-inch 316 stainless-steel screws (PN 101.405)

### RAIN HOOD BAFFLE INSTALLATION

The LEOPARD/900-LFC Rain Hood Baffle must be installed first. (The illustrations depict the LEOPARD loudspeaker, but it is the same procedure for the 900-LFC loudspeaker.)

1. Gather the LEOPARD/900-LFC Rain Hood Baffle (PN 64.243.104.01) and the two pan head Phillips 6-32 x 0.25-inch stainless steel screws (PN 101.405).
2. Turn the loudspeaker so that the rear is accessible.
3. Locate the two screw holes beneath the powerCON connectors on the user panel (left side of the loudspeaker).
4. Attach the Baffle in the orientation shown in Figure 1 using the two provided screws. The recommended torque value for both screws is 10–12 in-lbs (1.1–1.4 N·m).

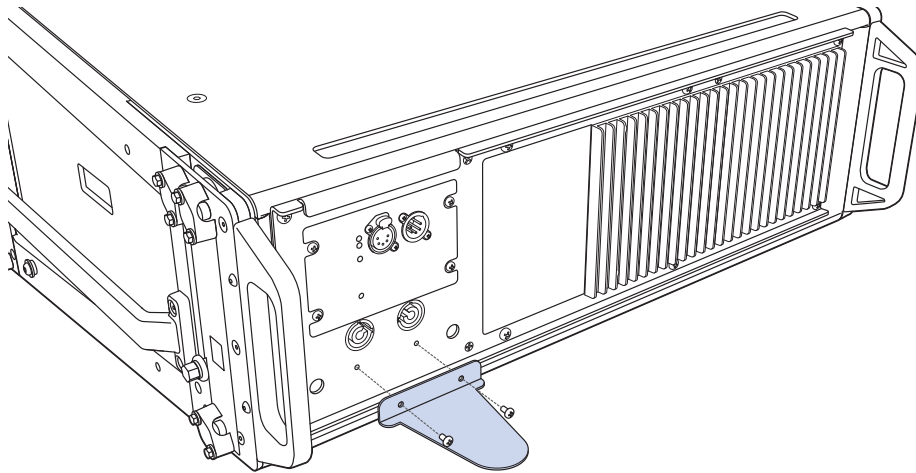


Figure 1: Attaching Rain Hood Baffle to LEOPARD Loudspeaker User Panel

## ROUTING CABLES AND ATTACHING RAINHOOD

5. Install the necessary audio and power cables.
6. Attach the rain hood to the user panel, slipping it under the rain hood retainer flange at the top of the user panel.
7. Route the cables through the rain hood on either side of the baffle and through the bottom of the rain hood.
8. Push the rain hood flush against the loudspeaker.
9. Secure it to the loudspeaker by giving the two captive wing-head stud fasteners on either side of the rain hood a quarter turn, so they fully lock.

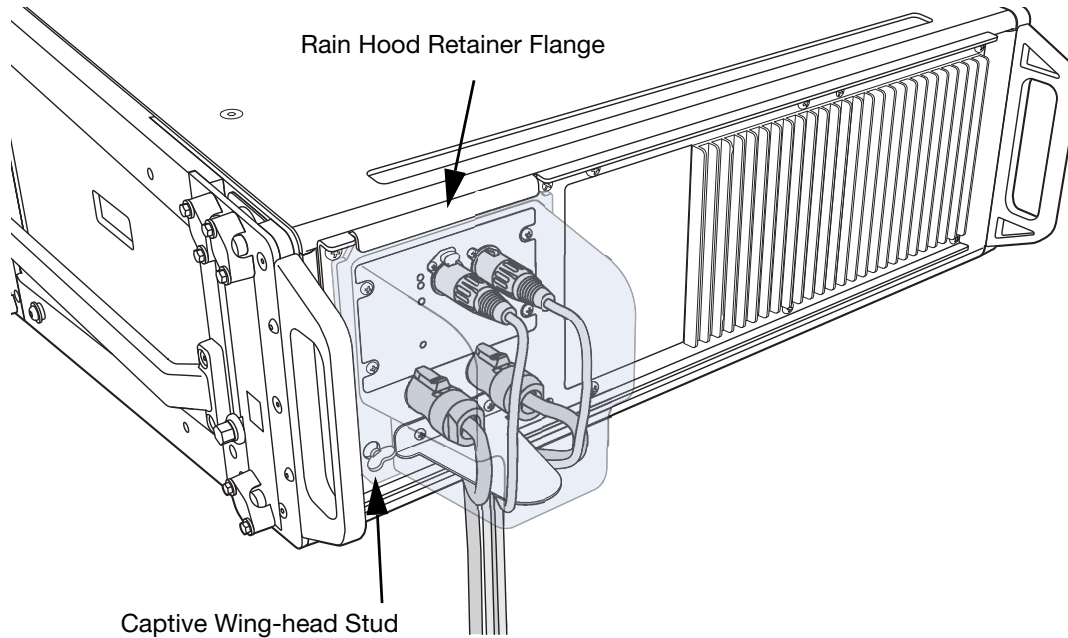


Figure 2: Routing Signal and Power Cables Through Rain Hood and Around Baffle

The procedure for attaching the UW rain hood to the 900-LFC is identical. The 900-LFC loudspeaker exploded view is shown in Figure 3.

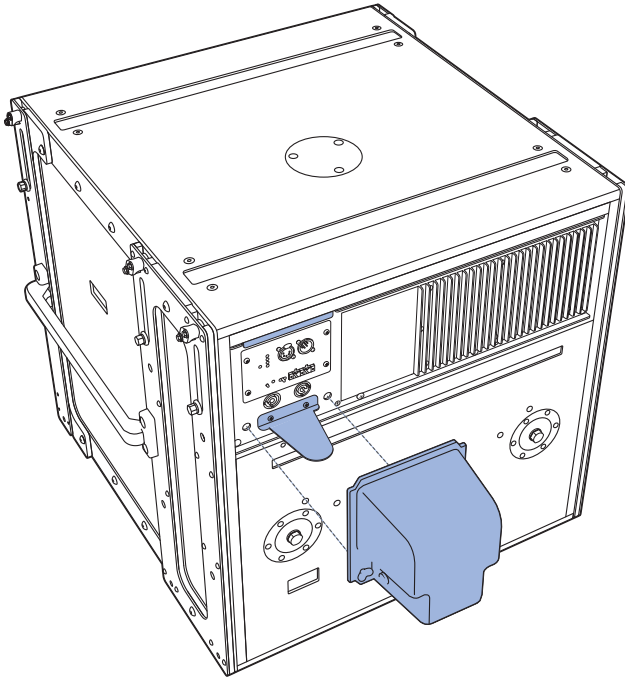


Figure 3: Attaching LEOPARD/900-LFC UW Rain Hood to the 900-LFC Loudspeaker



Meyer Sound Laboratories Inc.  
2832 San Pablo Avenue  
Berkeley, CA 94702  
+1 510 486.1166  
[www.meyersound.com](http://www.meyersound.com)

© 2019  
Meyer Sound. All rights reserved.  
LEOPARD/900-LFC UW Rainhood Attachment  
PN 05.243.241.01 A