

Subwoofers and Optional Accessories



CONTENTS

Amie-Sub Compact Cinema Subwoofer 1

 MUB-Amie-Sub U-Bracket(PN 40.251.050.01)..... 2

 Black Cloth Grille(PN 40.251.006.01)..... 2

 2:1 Integration Input Module(PN 40.251.450.01) 2

 7:1 Integration Input Module(PN 40.251.450.02) 2

X-400C Compact Cinema Subwoofer..... 3

 Black Cloth Grille (PN 40.213.210.01)..... 3

X-800C High-Power Cinema Subwoofer 4

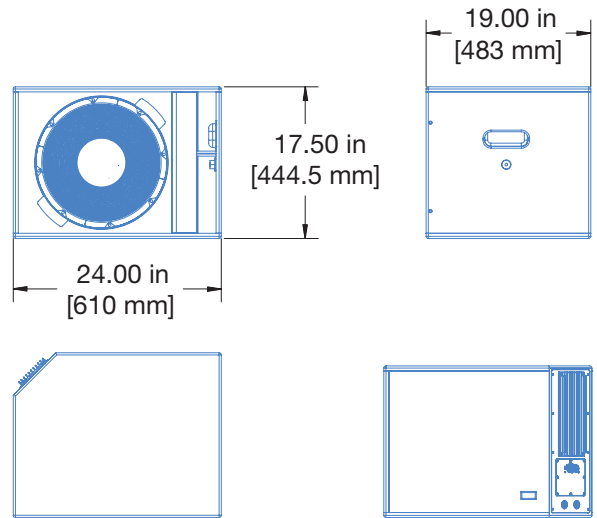
 Black Cloth Grille (PN 40.087.003.01)..... 4

X-1100C High-Power Cinema Subwoofer 5

 MCF-1100-LFC Caster (PN 40.220.039.01)..... 5

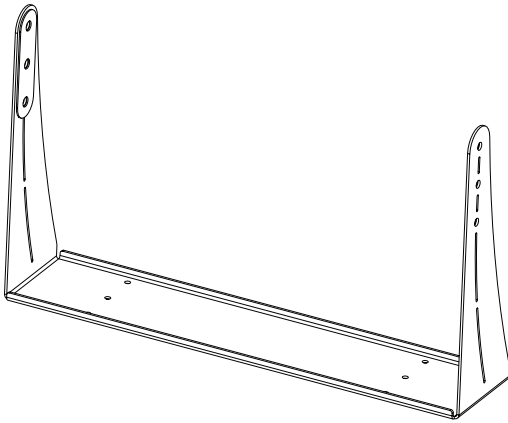
 MRK-1100-LFC Rigging (PN 40.220.027.01)..... 5

AMIE-SUB COMPACT CINEMA SUBWOOFER



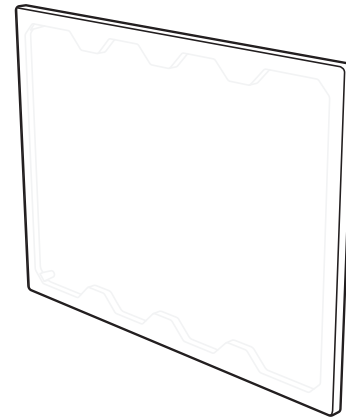
Weight 74 lb [33.5 kg]
 Total Output Power 1100 W peak
 Maximum Long Term Continuous Current Draw (> 10 sec) 1.4 A rms (115 V AC); 0.7 A rms (230 V AC); 1.5 A rms (100 V AC)

**MUB-AMIE-SUB U-BRACKET
(PN 40.251.050.01)**



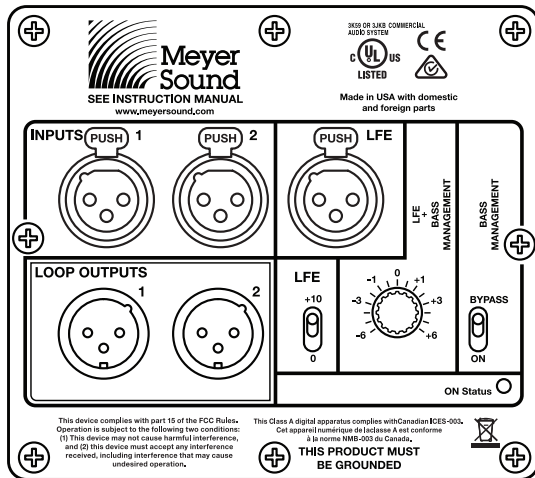
Width 24.44 in [621 mm]
 Height 15.00 in [381 mm]
 Depth 5.49 in [139 mm]
 Self-weight 7.9 lb [3.58 kg]
 Load rating 7:1 75 lb [34 kg]

**BLACK CLOTH GRILLE
(PN 40.251.006.01)**

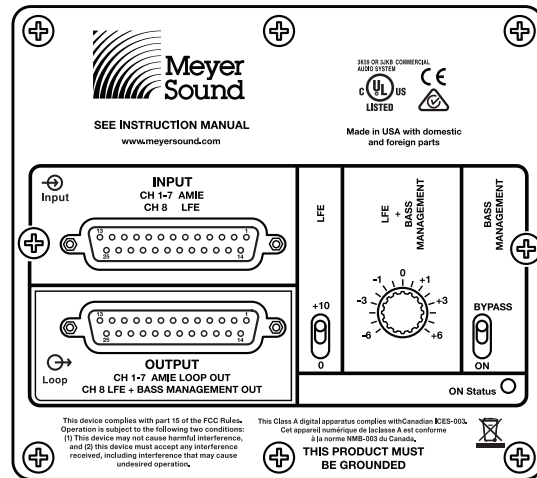


Width 23.75 in [603 mm]
 Height 17.25 in [438 mm]
 Depth 0.59 in [15 mm]

**2:1 INTEGRATION INPUT MODULE
(PN 40.251.450.01)**



**7:1 INTEGRATION INPUT MODULE
(PN 40.251.450.02)**



X-400C COMPACT CINEMA SUBWOOFER

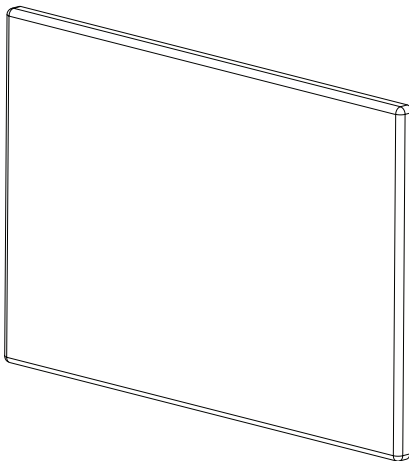


Weight 85 lb [38.6 kg]

Total Output Power 900 W peak

Maximum Long Term Continuous Current Draw (> 10 sec) 1.4 A rms (115 V AC); 0.7 A rms (230 V AC); 1.6 A rms (100 V AC)

BLACK CLOTH GRILLE (PN 40.213.210.01)

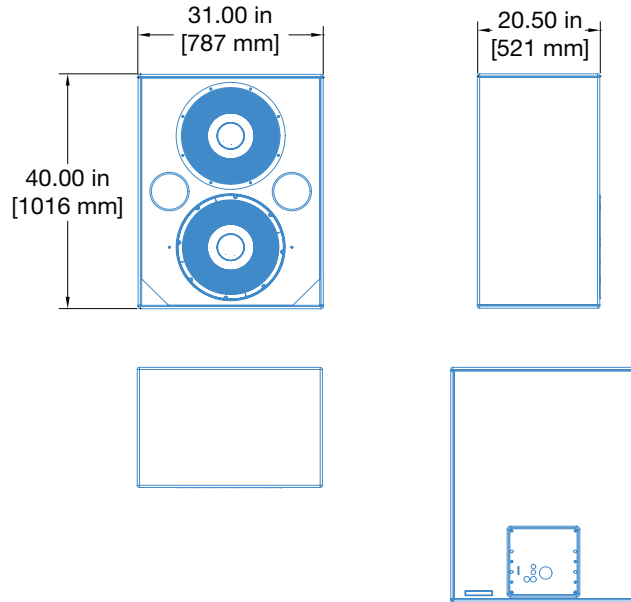


Width 31.00 in [787 mm]

Height 20.65 in [525 mm]

Depth 0.95 in [24 mm]

X-800C HIGH-POWER CINEMA SUBWOOFER

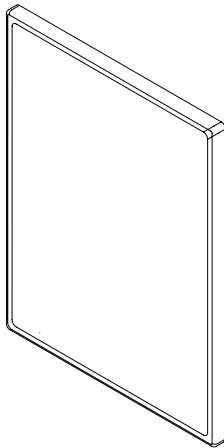


Weight 221 lb [100.24 kg]

Total Output Power 1240 W peak

Maximum Long Term Continuous Current Draw (> 10 sec) 8 A rms (115 V AC); 4 A rms (230 V AC); 10 A rms (100 V AC)

BLACK CLOTH GRILLE (PN 40.087.003.01)

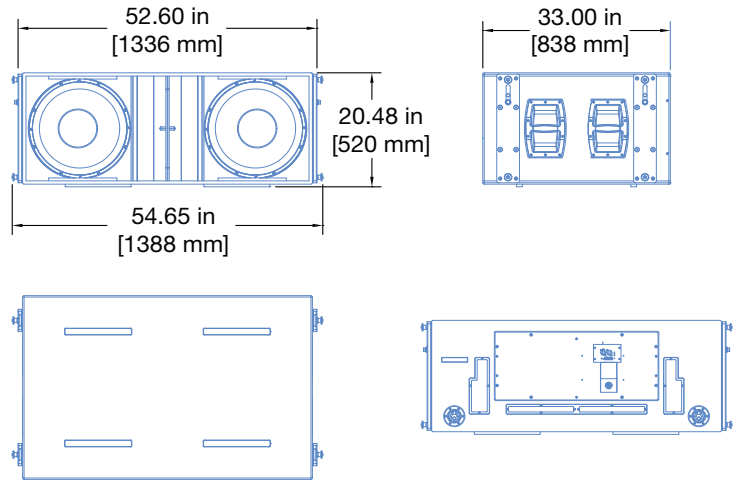


Width 30.24 in [768 mm]

Height 39.24 in [997 mm]

Depth 1.25 in [32 mm]

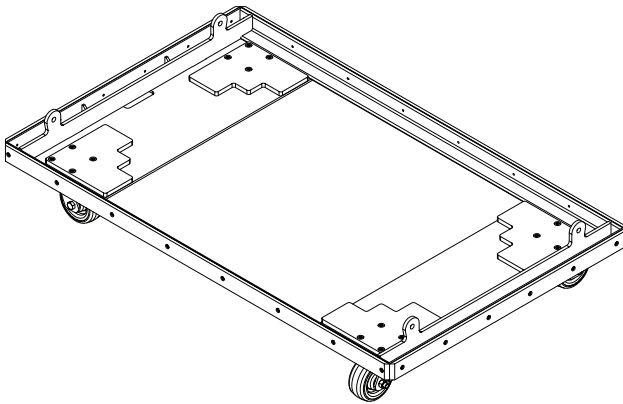
X-1100C HIGH-POWER CINEMA SUBWOOFER



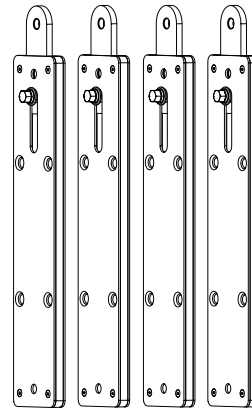
Weight 249 lb [112.9 kg]
Total Output Power 8100 W peak
Maximum Long Term Continuous Current Draw (> 10 sec) 10.5 A rms (230 V AC)

MCF-1100-LFC CASTER (PN 40.220.039.01)

MRK-1100-LFC RIGGING (PN 40.220.027.01)



Width 56.32 in [1431 mm]
Height 8.25 in [210 mm] (including casters)
Depth 34.75 in [883 mm]
Self-weight 138 lb [62.6 kg]
Load rating Up to 3 X-1100C



Width 4.00 in [102 mm]
Height 19.5 in [495 mm] (link stowed)
Depth 1.5 in [38 mm]
Self-weight 36 lb [16.34 kg] (for all four)
Load rating N/A

NOTE: Information on Load Ratings provided for feasibility purposes only. In some cases, restrictions apply. See the appropriate loudspeaker Operating Instructions or Rigging Assembly documents for more details. Meyer Sound documentation available at meyersound.com/documents.

Meyer Sound Laboratories, Incorporated.
2832 San Pablo Avenue
Berkeley, CA 94702

+1 510 486.1166
meyersound.com/contact
meyersound.com

Subwoofers Product Information
04.990.104.01 A
Copyright © 2021. All Rights Reserved.

