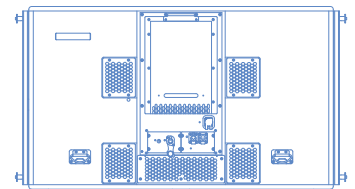
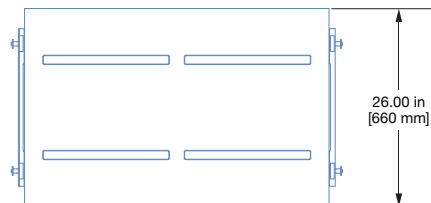
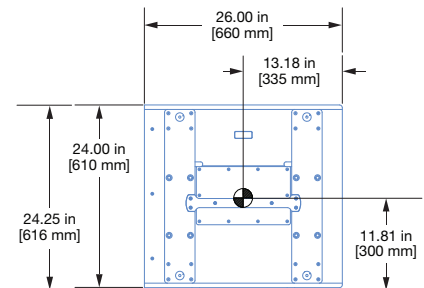
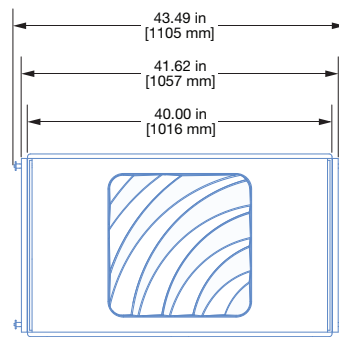


2100-LFC



SPECIFICATIONS

ACOUSTICAL	
Operating Frequency Range	30 Hz – 125 Hz
AES75 Maximum Linear Sound Levels	139.1 dBZpk, 129.2 dBZ, with an RMS input level of +6.0 dBV for analog, -17.8 dBFS for digital
<ul style="list-style-type: none"> Linear Sound Levels are measured in half-space at 4 m with a Class 1 sound level meter in accordance with IEC 61672 and ANSI S1.4. Values are scaled to 1 m distance from the loudspeaker while the loudspeaker is reproducing the AES75 test signal for at least one hour when the ambient temperature is 45 C° (113 F°). Loudspeaker system predictions for coverage and SPL are available in Meyer Sound's MAPP System Design Tool. 	
COVERAGE	
	360° (single unit)
PHYSICAL	
Weight	235 lbs. (106.6 kg)
Enclosure	Premium multi-ply birch, slightly textured black finish
Protective Grille	Powder-coated, stamped steel
Rigging	End frames with captive GuideALinks secured with 0.4375 in x 0.090 in quick-release pins
IEC Ingress Protection Rating (IP Rating)	IP55, when connected to cables terminated with Neutrik TOP connectors

SPECIFICATIONS, CONT'D.

POWER CONSUMPTION	
Max Long-Term Continuous Power (>10 sec)	1200 W
Burst Power (<1 sec)	2400 W
AC POWER	
Connector	Neutrik powerCON TRUE1 TOP (True Outdoor Protection)
Operating Voltage Range	200 – 240 V AC, 50 or 60 Hz
ANALOG AUDIO INPUT (standard equipped)	
Connector	Neutrik XLR 3-pin TOP (True Outdoor Protection) female input with male loop output
Input Level	Source must be capable of producing +26 dBU into 600 Ω to produce the maximum peak SPL over the operating bandwidth of the loudspeaker
DIGITAL AUDIO INPUT (standard equipped)	
Connector	Neutrik etherCON TOP (True Outdoor Protection)
Digital Format	AVB, Milan Certified
MONITORING	
Telemetry	Loudspeaker telemetry transmitted via the Ethernet port, displayed in software
TRANSDUCERS	
Low Frequency	One 21-inch long-excursion cone driver; 4 Ω nominal impedance